

dealer information



front Proflektor for tractors with Sauter or OEM front linkage

suitable for:	width, adjustable (width of wings)	width, adjustable (width at outer lights)
Sauter front linkage various OEM front linkages (John Deere, New Holland, SAME, Deutz-Fahr, Claas, CASE, Steyr)	2,10m to 2,50m 2,20m to 2,60m (depending on tractor type)	2,25m to 2,65m 2,35m to 2,75m (depending on tractor type)

Our order processing team will gladly help you by the choice of the correct article no. for your front linkage. The front Proflektor will be fixed at the „hang support“ of the front linkage via enclosed screw connection / bracket.

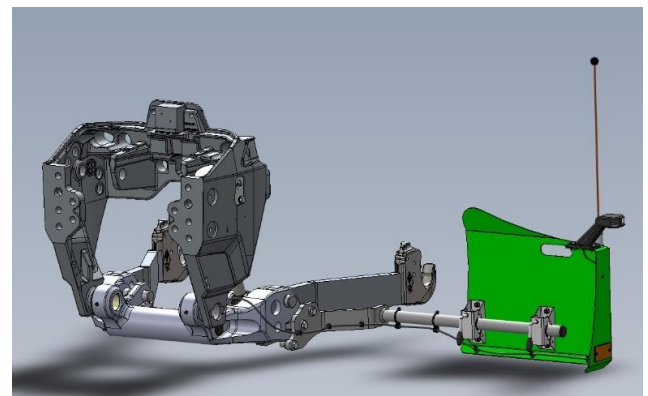
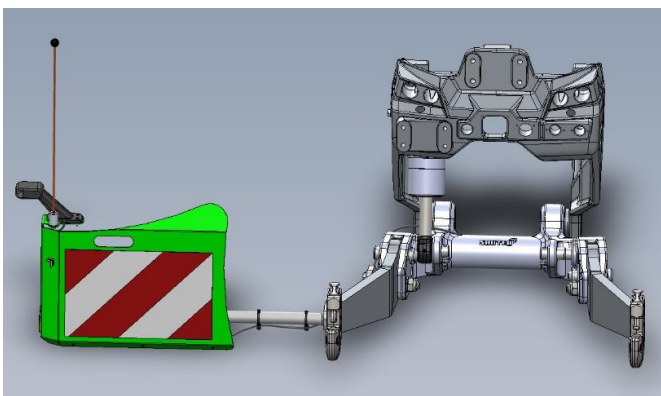
availability for OEM front linkages on request

Please provide this information in case of a PO:

- manufacturer & serial no. of front linkage
- tractor type & year of manufacture
- desired color

color / painting:

- **cost neutral** in RAL3002 (carmine red) or in various tractor colors: e.g. CASE, Claas, Fendt, John Deere, Massey Ferguson, New Holland, SDF (special tractor or metallic paints excluded)
- special paints / other colors (on request)



subject to design changes; errors and mistakes excepted! Prices w/o VAT + possible freight charges; price validity till 31st of december 2024 or until a new price list comes up.

LED outline lights ★ simple assembly ★ reflective warning foil (accord. to ECE104) ★ top link not in use ★ better perception through day & night ★ stepless and tool-free adjustable



increased road traffic safety ★ level tabs as maneuvering aid ★ modular steel construction
 ★ combinable with many front devices & weights ★ front linkage stays usable

Let us be good examples –
 let's make the road a safer place



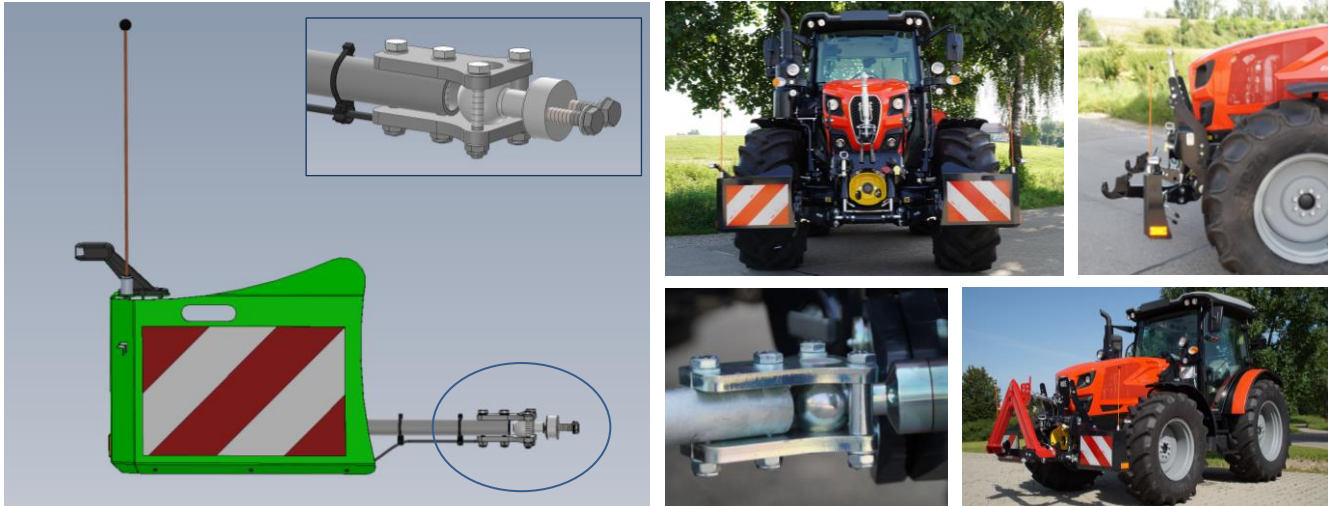
subject to design changes; errors and mistakes excepted! Prices w/o VAT + possible freight charges; price validity till 31st of december 2024 or until a new price list comes up.

Hans Sauter GmbH • Auerbachweg 13 • D-87778 Stetten • Tel.: +49 8261 / 75994-0 • Fax: 75994-20
www.sauter-stetten.com • Instagram: [sauter_frontsysteme](https://www.instagram.com/sauter_frontsysteme)

multi-functional solutions for all tractors

option: ball head fastening

suitable for:	width, adjustable (width of wings)	width, adjustable (width at outer lights)
all front linkages cat. 2* (Sauter, OEM or third party brands)	2,20m bis 2,60m	2,35m bis 2,75m



* processing on site necessary (drilling of mounting holes at lower links, front console,...). This option requires self-responsible attention of distance measurements; when fixed at lower links, please attend that those can not be turned up when Proflektor is mounted.

option: fastening via 3-point seat

suitable for:	width, adjustable (width of wings)	width, adjustable (width at outer lights)
all front linkages cat. 2** (suitable for all catch hooks cat. 2 / cat. 3L)	2,20m bis 2,60m	2,35m bis 2,75m



** fastening via 3-point seat -> top link and lower link catch hooks. This option disables a parallel use of top link and lower link. Proflektor configurations available for cat. 2 / cat. 3 L catch hooks. (Top link and lower links are not part of Proflektor product set)

subject to design changes; errors and mistakes excepted! Prices w/o VAT + possible freight charges; price validity till 31st of december 2024 or until a new price list comes up.